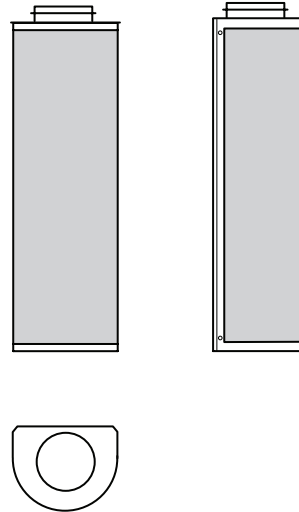


ARC

Semi-circular displacement unit

- **Special dimensions**
- **Short adjacent zone**
- **High finish**
- **Suitable for all types of rooms**

ARC is a semi-circular displacement unit for wall mounting, which provides supply air at low velocity. The terminals are suitable for both comfort and industrial installations. ARC can be installed with optional base and duct cover. Width, depth and circular spigot sizes are standardized, with the height to the customer's requirement.



Design

The unit consists of a wall mounted back plate with top and bottom panels and an air distribution plate with nozzles. The perforated front panel is screwed on to the corners of the profiled back plate. The circular spigot is located on the top panel as standard, and can be fitted on the bottom panel upon request. If ordered without a duct cover, the terminal is delivered with a steel top lid, painted to suit the perforated front panel.

Material

Front plate made in 1.25 mm hot-dipped galvanized sheet steel. Other parts in galvanized sheet steel with thickness depending on size. Visible parts powder coated in RAL 9010. Other colors according to RAL or NCS are available on request.

Specials versions

Other dimensions

Stainless steel Standard EN 1.4301 Surface brushed
 Other qualities on request

Reinforced front

Accessory

- Duct cover
- Base
- damper

Maintenance

There are no parts in the units that have to be replaced. If necessary clean the front with water and mild detergent.

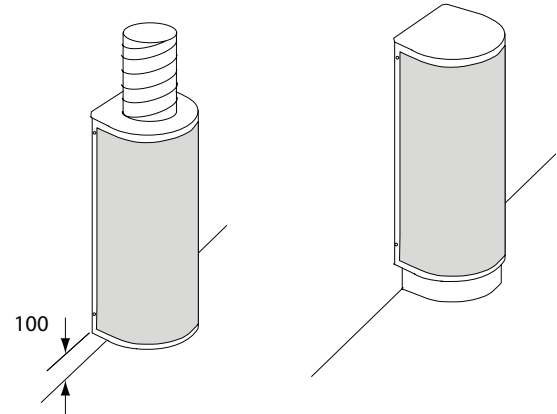


Fig 1
ARC with duct connection
from above with no base

Fig 2
Bottom connection
with base

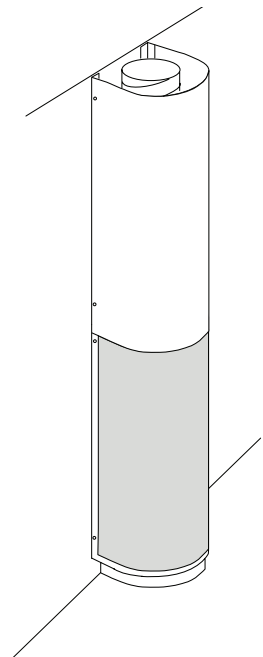
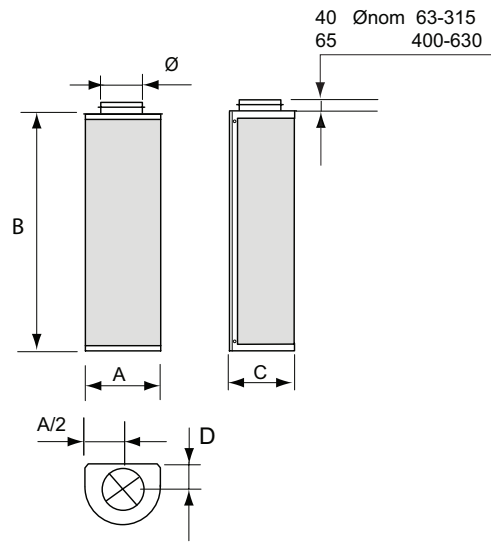


Fig. 3
ARC with base and duct cover

Dimensions and weight

A,C,Ø are standard dimensions.
 B is chosen according to costumers requirement
 Bs = recommended height B to suit A,C,Ø
 Max B is 2000

ARC	A	Bs	C	D	Ø	kg
125	240	600	200	83	125	7
160	300	600	250	100	160	10
200	325	1000	275	120	200	15
250	400	1000	350	145	250	18
315	450	1500	400	178	315	25
400	525	2000	525	220	400	48
500	700	2000	700	270	500	60



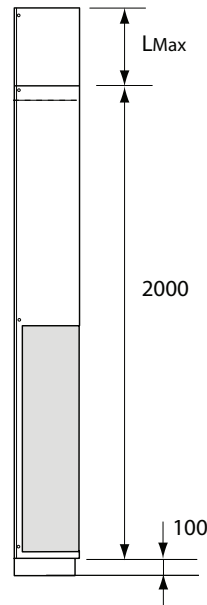
Accessory

Base: Standard height of base is 100 , other heights on request.

Duct cover: Length of duct cover is made according to costumers specification.

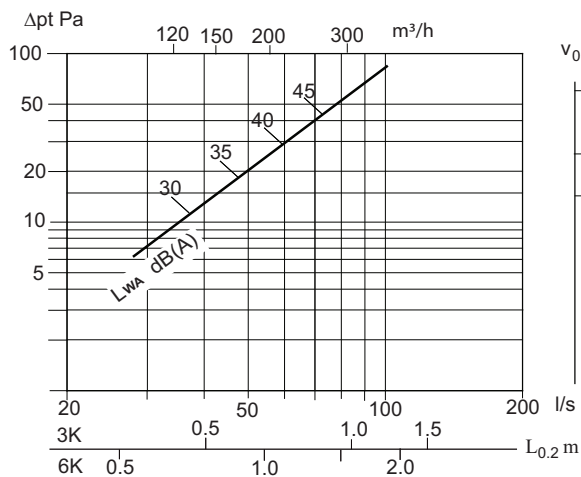
Max length in one piece :

Size	LMax
125-315	1960
400-500	1200

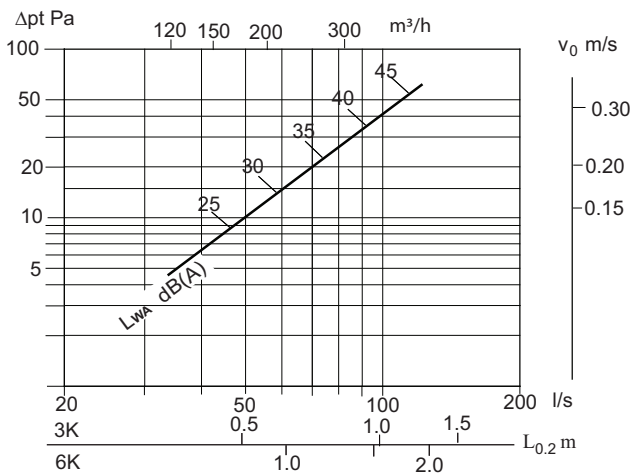


Technical Data recommended sizes

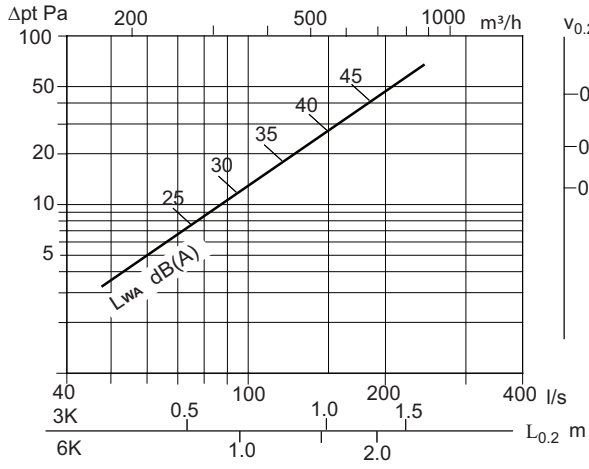
ARC 125-600



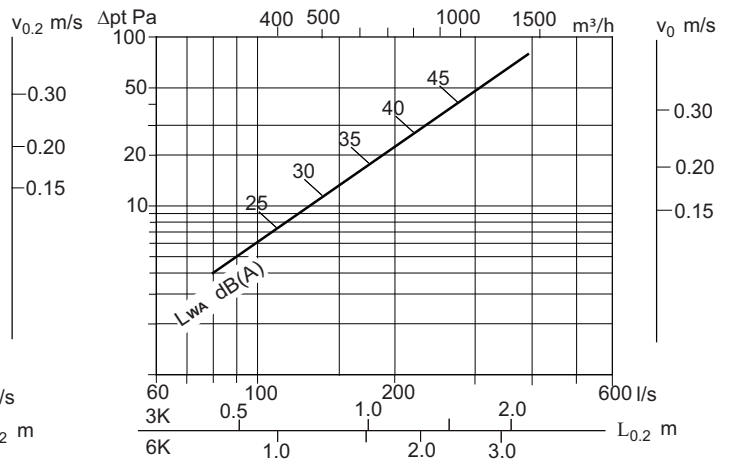
ARC 160-600



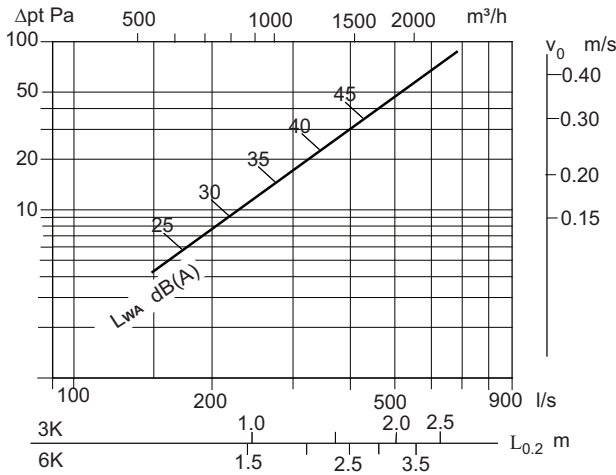
ARC 200-1000



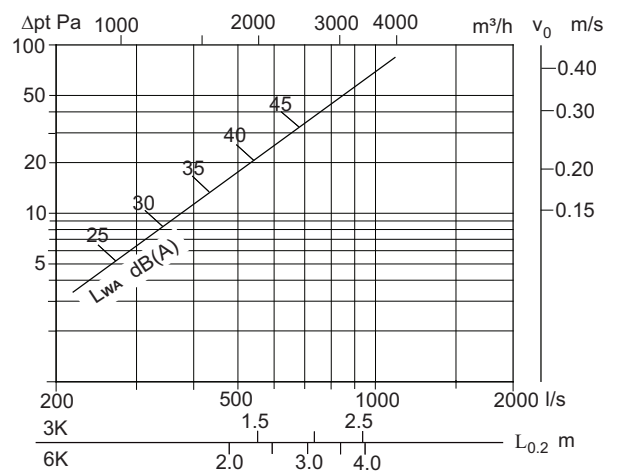
ARC 250-1000



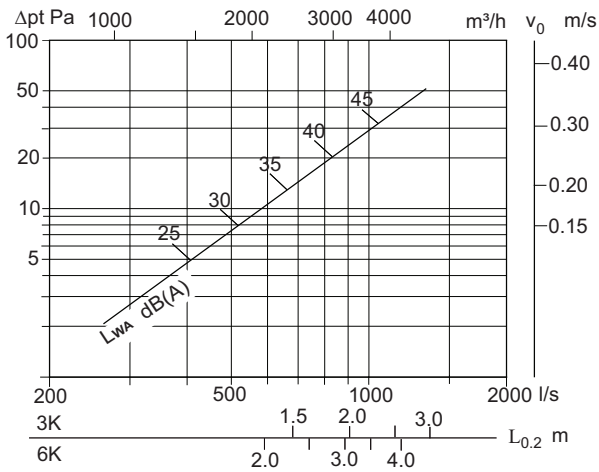
ARC 315-1500



ARC 400-2000



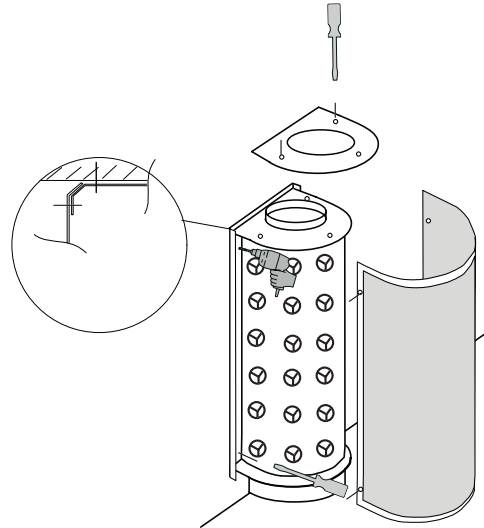
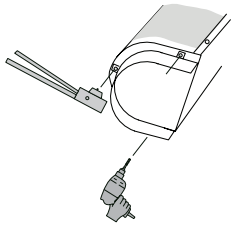
ARC 500-2000



Assembly

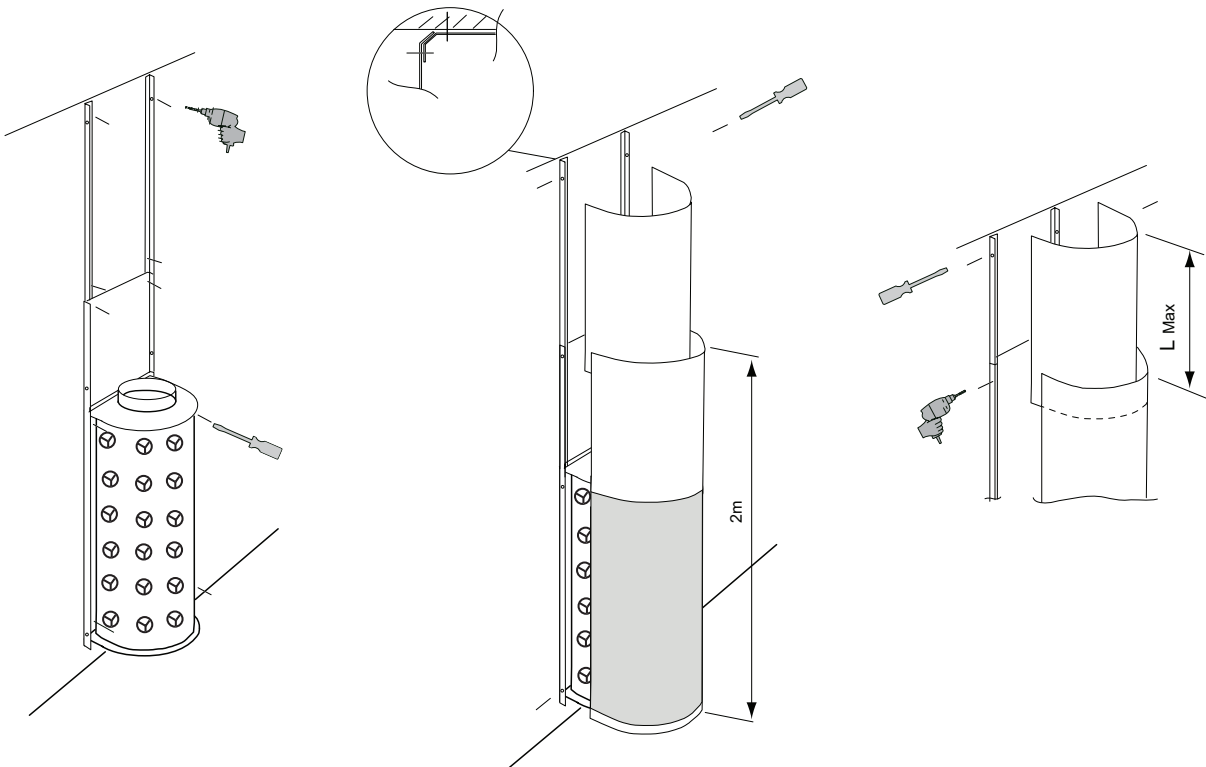
The ARC terminal is installed by removing the front plate and screwing the back plate on to the wall.

If a base is used, it needs to be fitted to the bottom of the terminal first.



The duct cover is mounted to the wall using corner profiles. The length of the duct cover is made according to customer's specification.

See dimensions for maximum section length. For longer ducts, several sections can be selected, taking care to overlap them on the joint.



Specification

BEMAIR ARC semi circular displacement unit to be mounted on walls. Terminal including internal air distribution plate with nozzles. Width... mm Depth... mm Height...mm top/bottom connection Removable front made in galvanized sheet steel powder coated in RAL 9010.

Alt. Top lid made in powder painted sheet steel/ Duct cover with corner profiles in galvanized sheet steel powder coated in RAL 9010. Duct covers length above terminalmm. Accessory: Base with height 100mm in galvanized sheet steel powder coated in RAL 9010. Alt. Powder coat in special color according to RAL or NCS

Product code

